

INDUSTRIAL DIESEL ENGINE

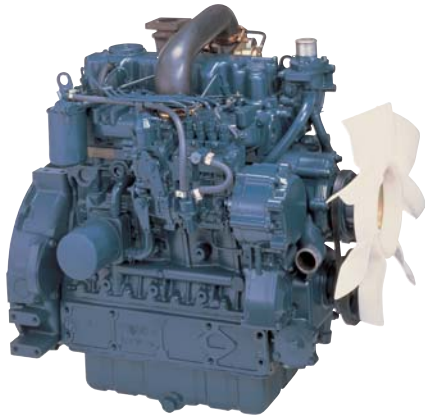
**KUBOTA V3-SERIES (4-cylinder)**

# V3600-T-E3B

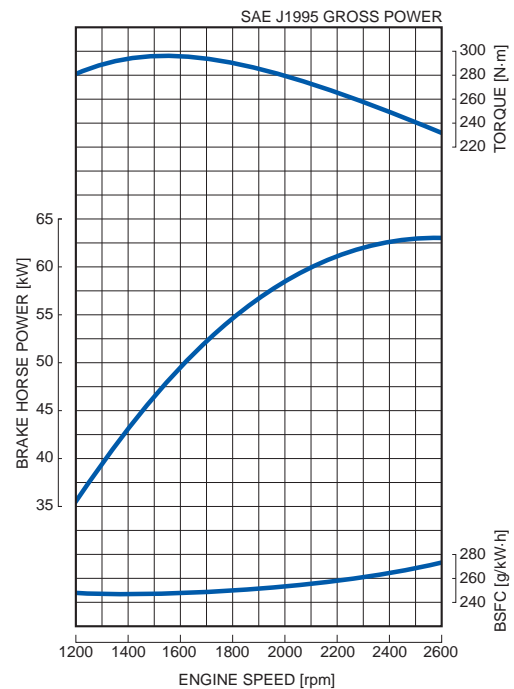


## RATED POWER

**63.0 kW/2600 rpm**



## PERFORMANCE CURVE



## FEATURES with BENEFITS

### Emissions

- The Kubota V3600 Turbocharged engine complies with EPA Tier 3 and EU Stage 3A emissions regulations effective through the end of 2011 in both the North American and European markets.
- Utilizing the low NOx characteristics of IDI engines, the V3600-T engine complies with the latest emissions regulations above the 56kW range without devices such as a cooled exhaust gas recirculation (EGR) system.

### Durable Power

- The Kubota V3600-T engine is a new high power density engine with the same footprint as the V3300 engine, however with a larger displacement.

### Clean and Quiet Power

- Kubota's original E-TVCS (Three Vortex Combustion System) has been improved. The airflow, combustion chamber and piston recess were optimized to meet the new NOx level of this class.

### Option

- Fan positions are available in two heights to adapt to various equipment configurations.

## GENERAL SPECIFICATION

Model		<b>V3600-T-E3B</b>
Emission Regulation		Tier 3 / Stage 3A
Type		Vertical 4-cycle Liquid Cooled Diesel
Number of Cylinders		4
Bore	mm (in)	98 (3.86)
Stroke	mm (in)	120 (4.72)
Displacement	L (cu.in)	3.620 (220.9)
Combustion System		Indirect Injection
Intake System		Turbocharged
Maximum Speed	rpm	2600
Output: SAE J1995 Gross Power	kW	63.0
	hp	84.5
	ps	85.7
Direction of Rotation		Counterclockwise Viewed on Flywheel
Oil Pan Capacity	L (gal)	13.2 (3.49)
Starter Capacity	V-kW	12-3.0
Alternator Capacity	V-A	12-60
Length	mm (in)	745.0 (29.33)
Width	mm (in)	538.5 (21.20)
Height (1)	mm (in)	794.0 (31.26)
Height (2)	mm (in)	257.0 (10.12)
Dry Weight	kg (lb)	275 (606.3)

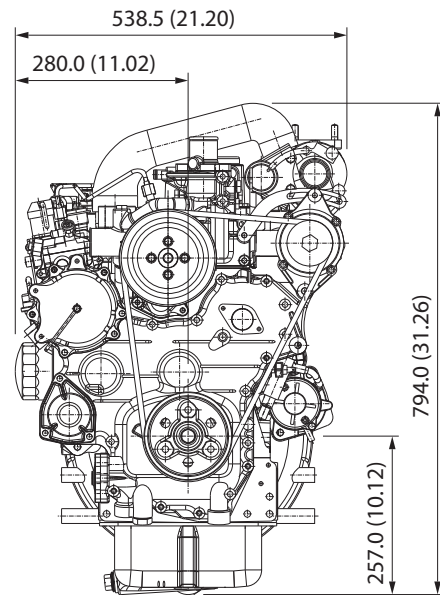
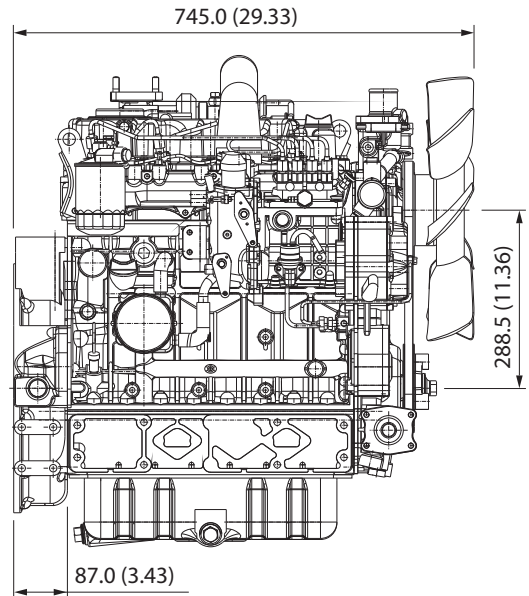
\*Specification is subject to change without notice.

\*Dry weight is according to Kubota's standard specification.

When specification varies, the weight will vary accordingly.

\*SAE J1995 Gross Power: 1-hour rating based on engine without cooling fan, air cleaner and muffler, with alternator.

## DIMENSIONS



**Kubota Corporation**

2-47, Shikitsuhigashi 1-chome, Naniwa-ku, Osaka, 556-8601 Japan  
 Fax: +81 (0) 6 6648 /35 21  
<http://www.engine.kubota.ne.jp>

**Kubota (Deutschland) GmbH**

Senefelder Str. 3-5

63110 Rodgau

Phone: +49 (0) 6106 / 873 - 113

Fax: +49 (0) 6106 / 873 - 196

eMail: [motoren@kubota.de](mailto:motoren@kubota.de)

homepage: [www.kubota.de](http://www.kubota.de)