

GENERATOR SET - EDV 165 – Open Set

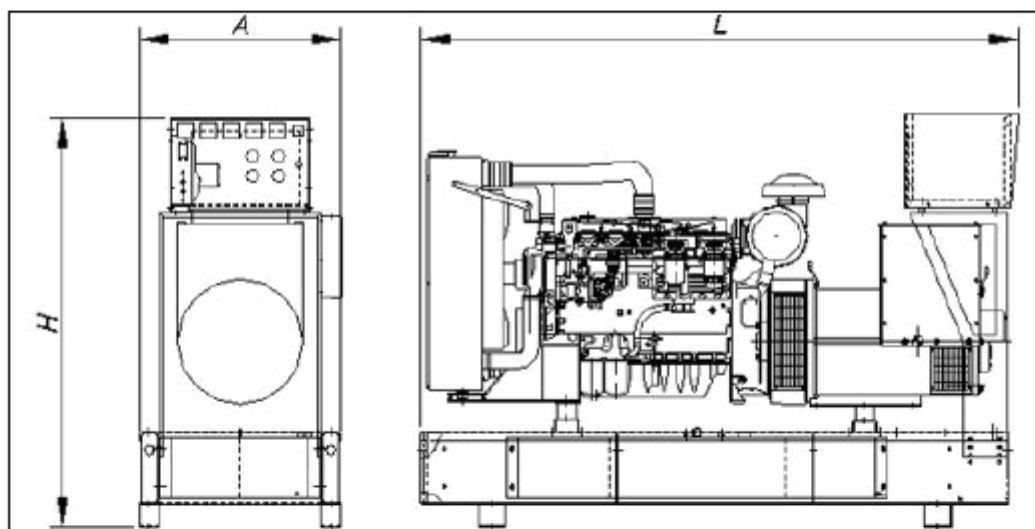
Technical Card

Technical information

PRP Power (kVA)	150
Standby Power (kVA)	167
PRP Power (kW)	120
Standby Power (kW)	133,6
Model	STATIONARY WITHOUT CANOPY

Weight and Dimensions (mm)

Length (L)	2490
Width (A)	850
Height (H)	1882,5
Weight (kg)	1557
Fuel tank capacity (l)	264



Consumption

	PRP Power		Standby Power	
	L/h	Range (hours)	L/h	Range (hours)
25%	9,3	28,4	9,7	27,2
50%	16	16,5	17,4	15,2
75%	23,1	11,4	25,6	10,3
100%	30,7	8,6	34,2	7,7

Engine

Brand	VOLVO
Model	TAD 731 GE
No. of cylinders	6
Engine Capacity (c.c.)	7150
Bore (mm)	108
Stroke (mm)	130
Compression ratio	18:1
Water cooled	✓
Speed (r.p.m.)	1500
Preheating system	✓
Fuel tank capacity (l)	264

Cooling System

Flow of air from fan (m3/min)	222
-------------------------------	-----

Lubrication System

Oil sump capacity (l)	20
Maximum oil consumption (% fuel consumption)	0,3

Air intake system

Aspirated air flow (m3/min)	10,65
-----------------------------	-------

Electrical system

Battery/ies	12V 180 Ah.
-------------	-------------

Exhaust System

Input diameter (")	3
Output diameter (")	3,3
Exhaust diameter (mm)	154
Exhaust length (mm)	770
T ^a gas emission (°C)	540
Gas flow (m3/min)	30,2

Alternator

Model	UCI 274 F1
Electronic Regulation	✓
AVR	SX460
Power (kVA)	175

Electric Panel

Measuring Instruments

Voltmeter	1
-----------	---

Control Instruments

Control Card	DEEP SEA 5220 RS485
Auto Start-up. mains failure	✓
Manual start-up	✓
Remote start-up	✓

Alarms

Start-up failure	✓
Battery charge failure	✓
Low oil pressure	✓
High engine water temperature	✓
Low Fuel Level	✓
Low Radiator water level	✓

Electric Panel

Emergency Stop	✓
Overspeed	✓

Standby Gen-sets

3-phase tracking card	✓
Battery charger maintainer	✓
Voltmeter. switch: PHASE-MAINS-GENSET	✓
Auto/Manual Function	✓
LED indicators MAINS/GENSET switch	✓
Remote control software	✓
RS 485 communication port	✓

Protection Devices

Emergency stop button	✓
-----------------------	---