

# GENERATOR SET - EDV 220 – Open Set

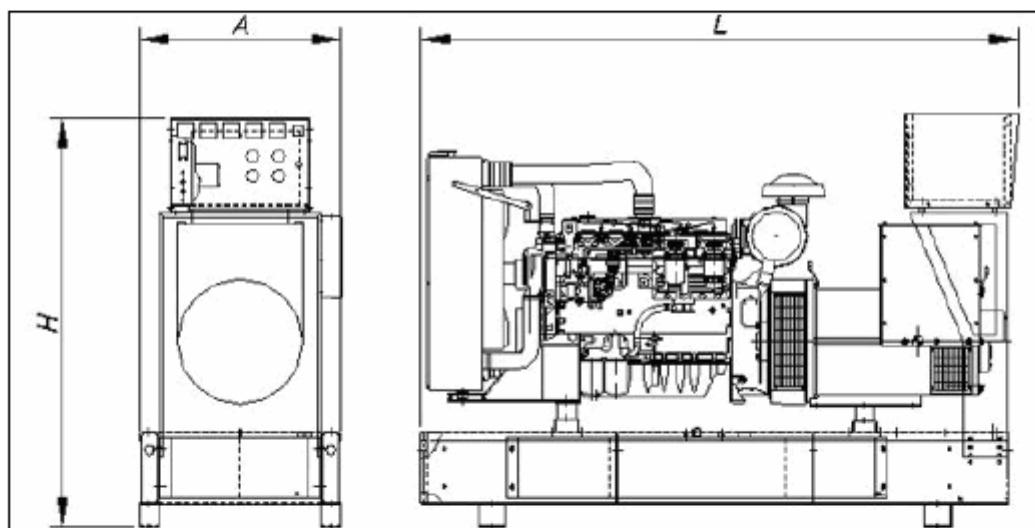
## Technical Card

### Technical information

PRP Power (kVA)	200
Standby Power (kVA)	220
PRP Power (kW)	160
Standby Power (kW)	176
Model	STATIONARY WITHOUT CANOPY

### Weight and Dimensions (mm)

Length (L)	2900
Width (A)	1100
Height (H)	2057,5
Weight (kg)	2265
Fuel tank capacity (l)	415



### Consumption

	PRP Power		Standby Power	
	L/h	Range (hours)	L/h	Range (hours)
25%	10,9	38,1	11,9	34,9
50%	20,7	20	22,6	18,4
75%	30,6	13,6	33,8	12,3
100%	41,1	10,1	45,9	9

## Engine

Brand	VOLVO
Model	TAD 733 GE
Electronic Management	✓
No. of cylinders	6
Engine Capacity (c.c.)	7150
Bore (mm)	108
Stroke (mm)	130
Compression ratio	18,1:1
Water cooled	✓
Speed (r.p.m.)	1500
Preheating system	✓
Fuel tank capacity (l)	415

### Cooling System

Flow of air from fan (m3/min)	170
-------------------------------	-----

### Lubrication System

Oil sump capacity (l)	34
Maximum oil consumption (% fuel consumption)	0,2

### Air intake system

Aspirated air flow (m3/min)	12,43
-----------------------------	-------

### Electrical system

Battery/ies	12V 120 Ah.
-------------	-------------

### Exhaust System

Input diameter (")	3,5
Output diameter (")	3,5
Exhaust diameter (mm)	300
Exhaust length (mm)	1.645
T <sup>3</sup> gas emission (°C)	530
Gas flow (m3/min)	37,2

## Alternator

Model	UCI 274 H1
Electronic Regulation	✓
AVR	SX460
Power (kVA)	220

## Electric Panel

### Measuring Instruments

Voltmeter	1
Battery current gauge	✓

### Control Instruments

Control Card	DEEP SEA 5320 RS485
Auto Start-up. mains failure	✓
Manual start-up	✓
Remote start-up	✓

### Alarms

Start-up failure	✓
Battery charge failure	✓
Low oil pressure	✓
High engine water temperature	✓

## Electric Panel

Low Fuel Level	✓
Low Radiator water level	✓
Emergency Stop	✓
Overspeed	✓
<b>Standby Gen-sets</b>	
3-phase tracking card	✓
Battery charger maintainer	✓
Voltmeter. switch: PHASE-MAINS-GENSET	✓
Auto/Manual Function	✓
LED indicators MAINS/GENSET switch	✓
Remote control software	✓
RS 485 communication port	✓
<b>Protection Devices</b>	
Emergency stop button	✓