

# GENERATOR SET - EDV 275 – Open Set

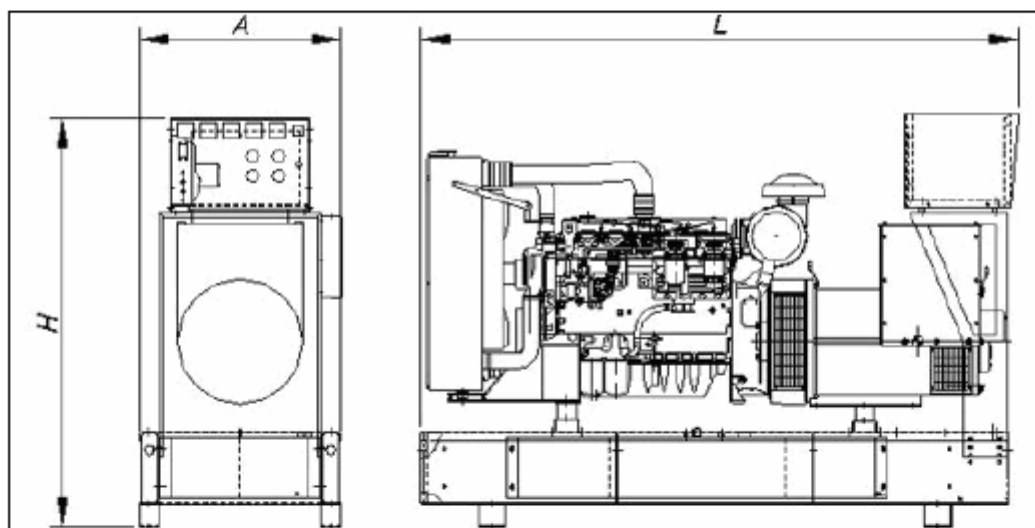
## Technical Card

### Technical information

PRP Power (kVA)	250
Standby Power (kVA)	275
PRP Power (kW)	200
Standby Power (kW)	220
Model	STATIONARY WITHOUT CANOPY

### Weight and Dimensions (mm)

Length (L)	2900
Width (A)	1100
Height (H)	2057,5
Weight (kg)	2525
Fuel tank capacity (l)	415



### Consumption

	PRP Power		Standby Power	
	L/h	Range (hours)	L/h	Range (hours)
25%	14,5	28,6	16,3	25,5
50%	27,7	15	31,1	13,3
75%	38,8	10,7	43,1	9,6
100%	48,6	8,5	54,3	7,6

## Engine

Brand	VOLVO
Model	TAD 734 GE
Electronic Management	✓
No. of cylinders	6
Engine Capacity (c.c.)	7150
Bore (mm)	108
Stroke (mm)	130
Compression ratio	17:1
Water cooled	✓
Speed (r.p.m.)	1500
Preheating system	✓
Fuel tank capacity (l)	415

### Cooling System

Flow of air from fan (m3/min)	220
-------------------------------	-----

### Lubrication System

Oil sump capacity (l)	29
Maximum oil consumption (% fuel consumption)	0,1

### Air intake system

Aspirated air flow (m3/min)	16,3
-----------------------------	------

### Electrical system

Battery/ies	12V 120 Ah.
-------------	-------------

### Exhaust System

Input diameter (")	3,5
Output diameter (")	3,5
Exhaust diameter (mm)	300
Exhaust length (mm)	1.645
T <sup>a</sup> gas emission (°C)	550
Gas flow (m3/min)	33,4

## Alternator

Model	UCDI 274 K1
Electronic Regulation	✓
AVR	SX460
Power (kVA)	275

## Electric Panel

### Measuring Instruments

Voltmeter	1
Battery current gauge	✓

### Control Instruments

Control Card	DEEP SEA 5320 RS485
Auto Start-up. mains failure	✓
Manual start-up	✓
Remote start-up	✓

### Alarms

Start-up failure	✓
Battery charge failure	✓
Low oil pressure	✓
High engine water temperature	✓

## Electric Panel

Low Fuel Level	✓
Low Radiator water level	✓
Emergency Stop	✓
Overspeed	✓
<b>Standby Gen-sets</b>	
3-phase tracking card	✓
Battery charger maintainer	✓
Voltmeter. switch: PHASE-MAINS-GENSET	✓
Auto/Manual Function	✓
LED indicators MAINS/GENSET switch	✓
Remote control software	✓
RS 485 communication port	✓
<b>Protection Devices</b>	
Emergency stop button	✓
ATS	4P 400A 400/230V